



Installation instructions, accessories

Volvo Car Corporation Gothenburg, Sweden

Instruction No	Version	Part. No.
31399344	1.0	31373090

Parking assistance, rear



Installation instructions, accessories

Volvo Car Corporation Gothenburg, Sweden

Special tools

	999 5919 PULLER (SEAL-PINION,CAM-CRANKSHAFT)B200-6304 Tool number:999 5919 Tool description:PULLER (SEAL-PINION,CAM-CRANKSHAFT)B200-6304 Tool boards:46
	999 7234 Hole stamp Tool number:999 7234 Tool description:Hole stamp Tool boards:80
	999 7483 Hole punch Tool number:999 7483 Tool description:Hole punch Tool boards:80
	951 2950 Glue gun (kit) Tool number:951 2950 Tool description:Glue gun (kit) Tool boards:08

Materials

Designation	Part number
Masking tape	
Isopropanol	1161721
Bonding primer, plastic	31335448
Sand paper P1000	
Volvo Original Touch-up paint	
Varnish 2-component	31335447
Activator	8637076
Mixing pipe	1161730
Glue	9511027

Equipment

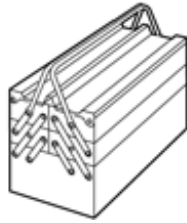


Installation instructions, accessories

Volvo Car Corporation Gothenburg, Sweden

VIDA

IMG-242205



IMG-345497

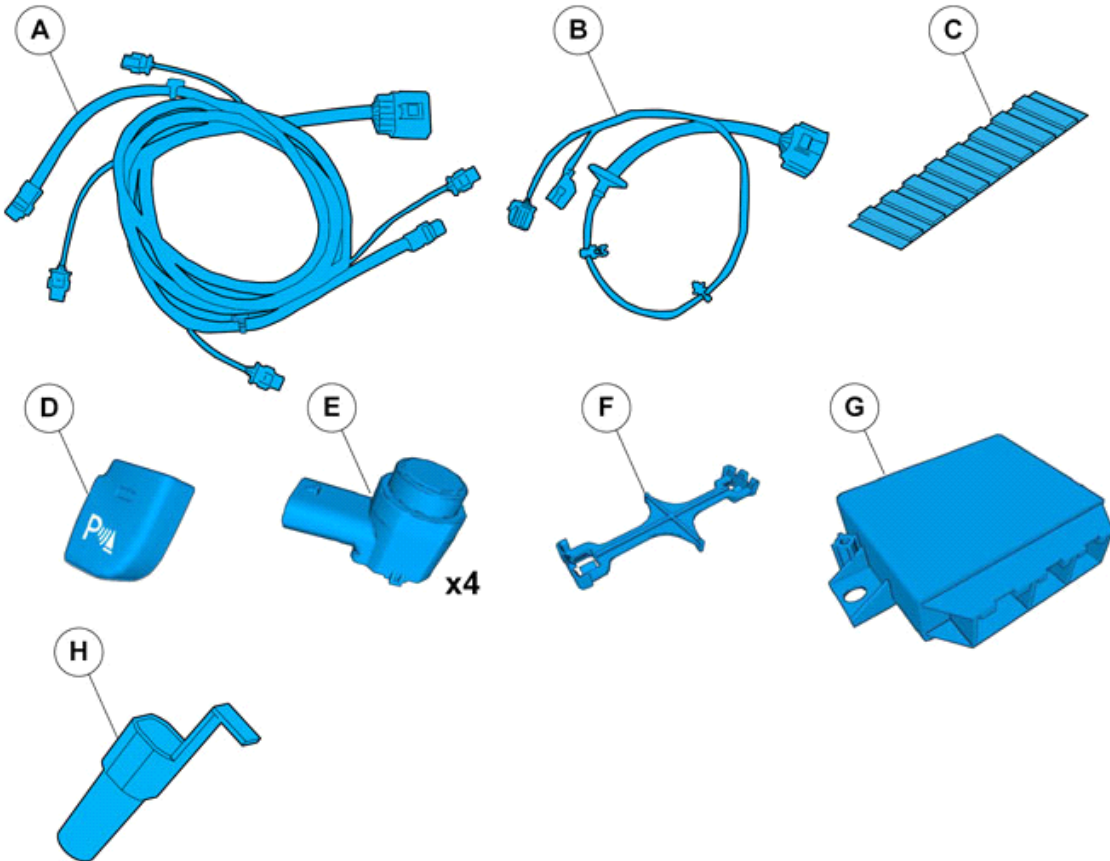


IMG-239664

Nm
lbf.ft



IMG-239981

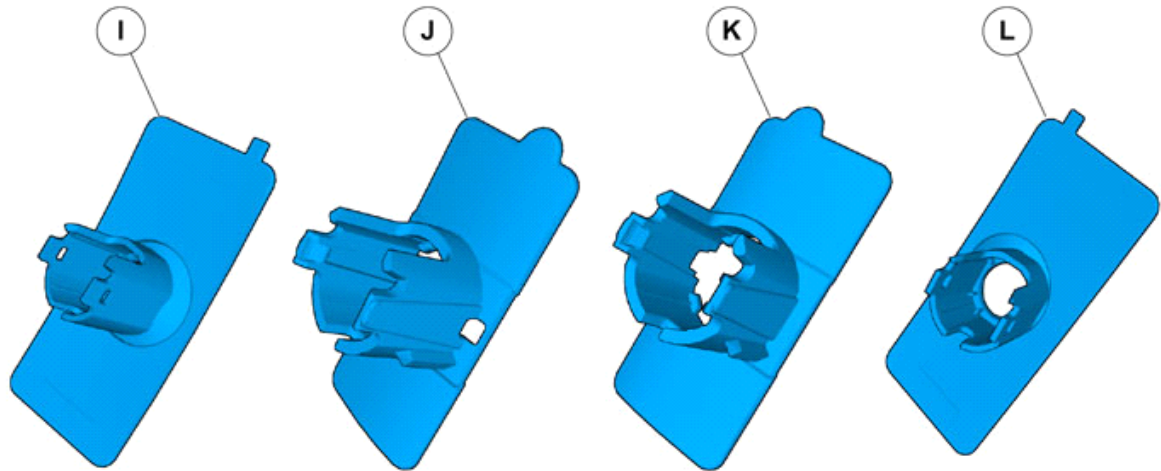


IMG-377463



Installation instructions, accessories

Volvo Car Corporation Gothenburg, Sweden



IMG-377443



Installation instructions, accessories

Volvo Car Corporation Gothenburg, Sweden

Information

1

Read through all of the instructions before starting installation.

Notifications and warning texts are for your safety and to minimise the risk of something breaking during installation.

Ensure that all tools stated in the instructions are available before starting installation.

Certain steps in the instructions are only presented in the form of images. Explanatory text is also given for more complicated steps.

In the event of any problems with the instructions or the accessory, contact your local Volvo dealer.

Further information

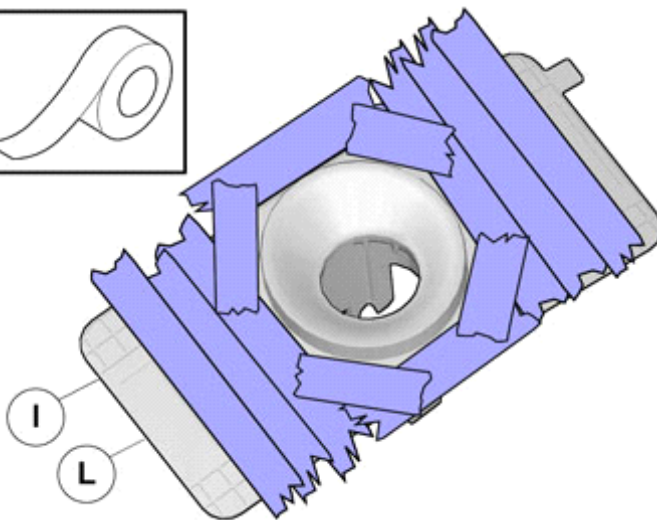
2

After installation, the car must not be washed for 48 hours

When installing, the car must retain a temperature of 20 degrees C.

Paintwork

3



Use: , Masking tape

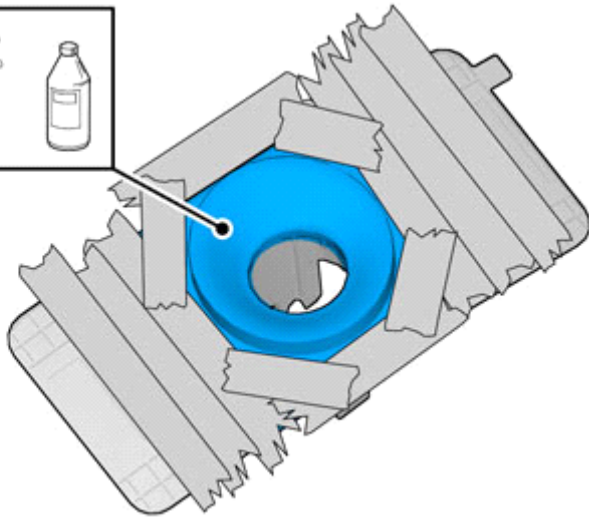
IMG-377265



Installation instructions, accessories

Volvo Car Corporation Gothenburg, Sweden

4



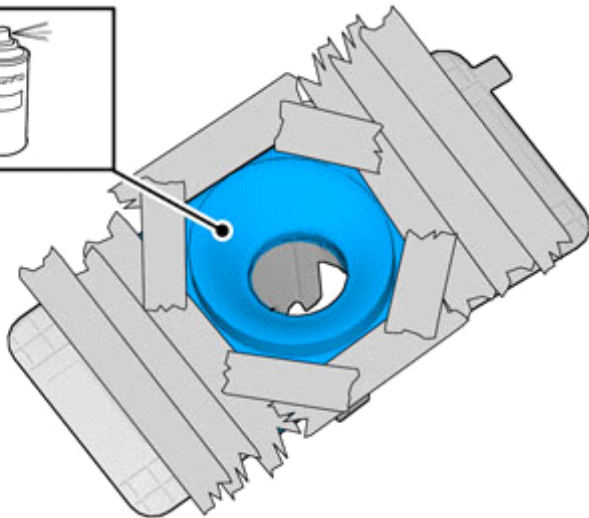
Clean the surface.

Use: 1161721, Isopropanol

Allow to dry.

IMG-377266

5

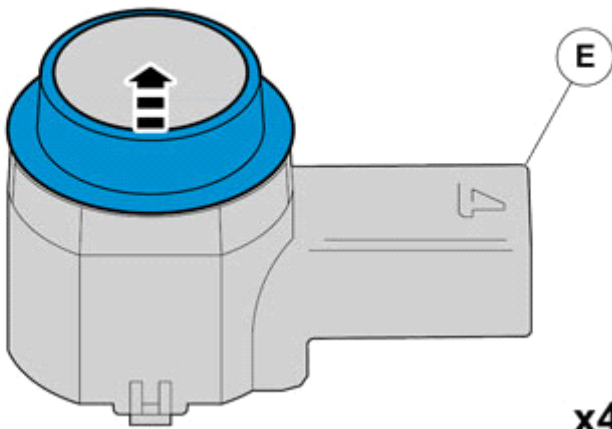


Use: 31335448, Bonding primer, plastic

Also see the instructions on the container.

IMG-377267

6



x4

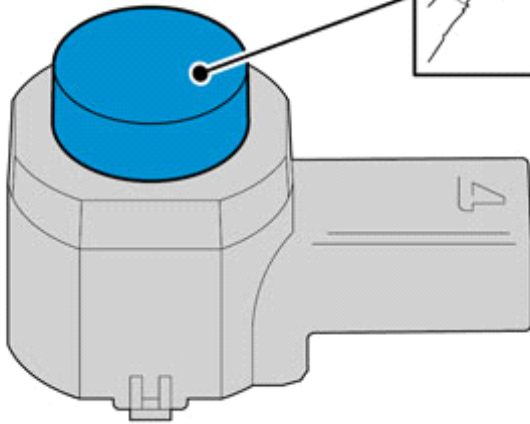
IMG-377194



Installation instructions, accessories

Volvo Car Corporation Gothenburg, Sweden

7

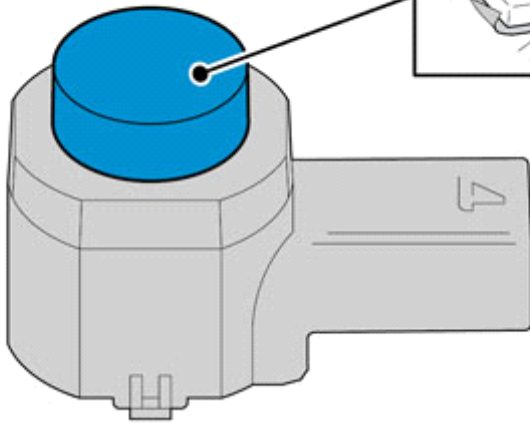


Clean the surface.

x4

IMG-352653

8



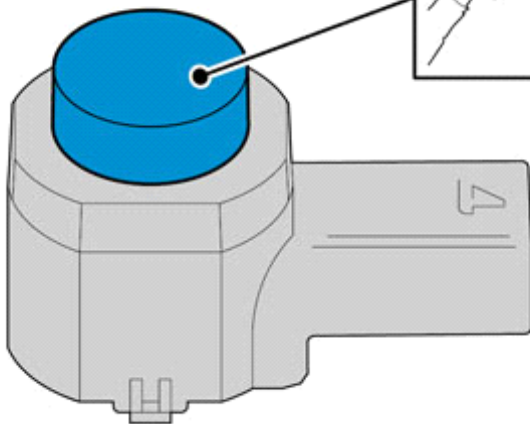
Matt the surface gently.

Use: , Sand paper P1000

x4

IMG-352654

9



Clean the surface.

Allow to dry.

x4

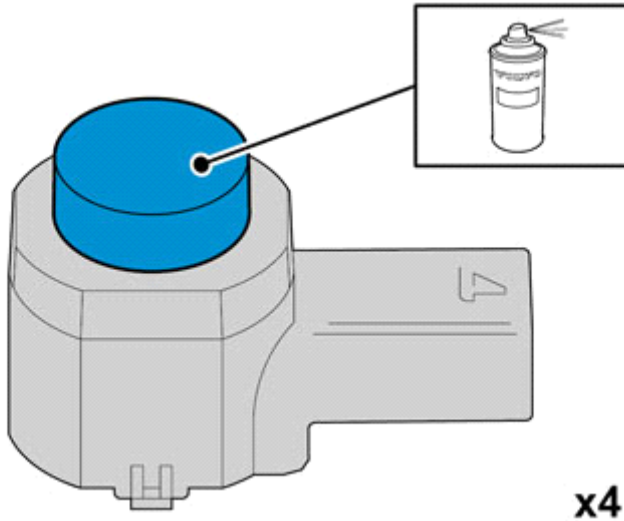
IMG-352653



Installation instructions, accessories

Volvo Car Corporation Gothenburg, Sweden

10



IMG-352655

Caution!

Protect connector surfaces against paint spray.

Note!

Use correct color following the vehicle's paint code.

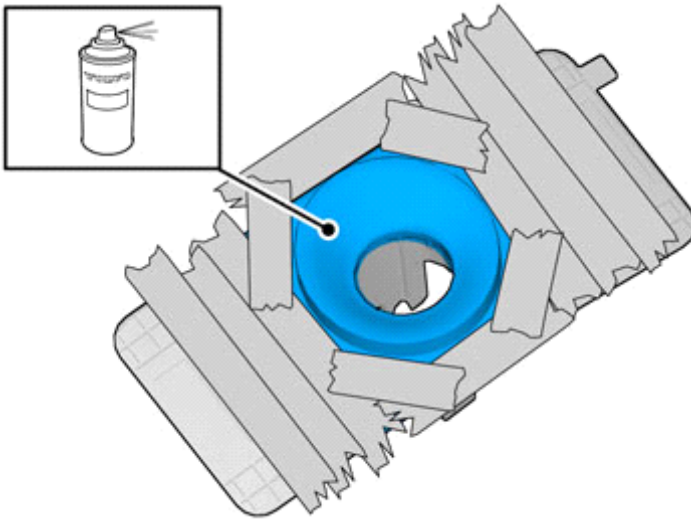
Use: , Volvo Original Touch-up paint

Use base coat only.

Use: 31335447, Varnish 2-component

Also see the instructions on the container.

11



IMG-377267

Note!

Use correct color following the vehicle's paint code.

Use: , Volvo Original Touch-up paint

Use base coat only.

Use: 31335447, Varnish 2-component

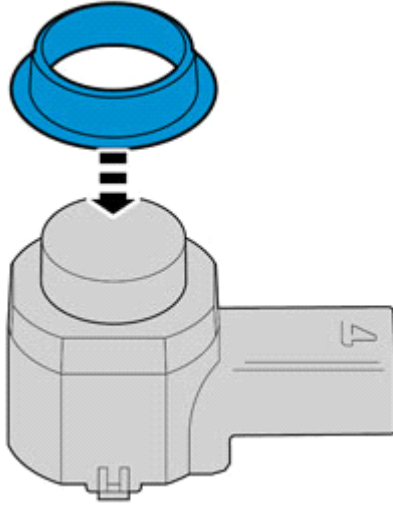
Also see the instructions on the container.



Installation instructions, accessories

Volvo Car Corporation Gothenburg, Sweden

12



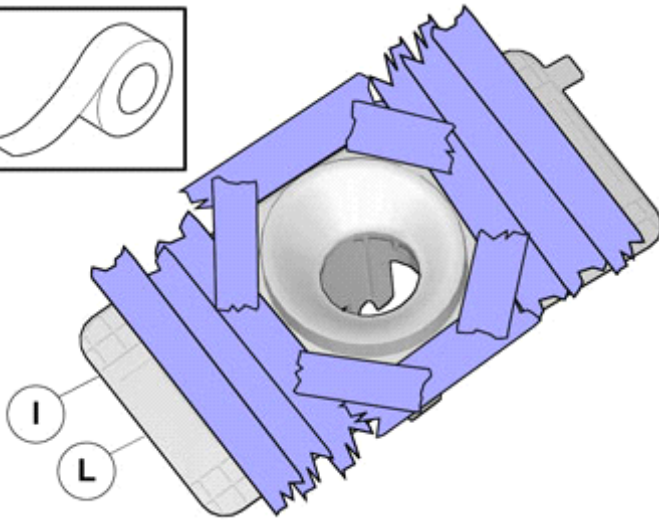
x4

IMG-352658

Caution!

First the paint must dry after painting.

13



Remove the tape.

IMG-377265

Removal



Installation instructions, accessories

Volvo Car Corporation Gothenburg, Sweden

14

Set the ignition key to position 0.



IMG-332193

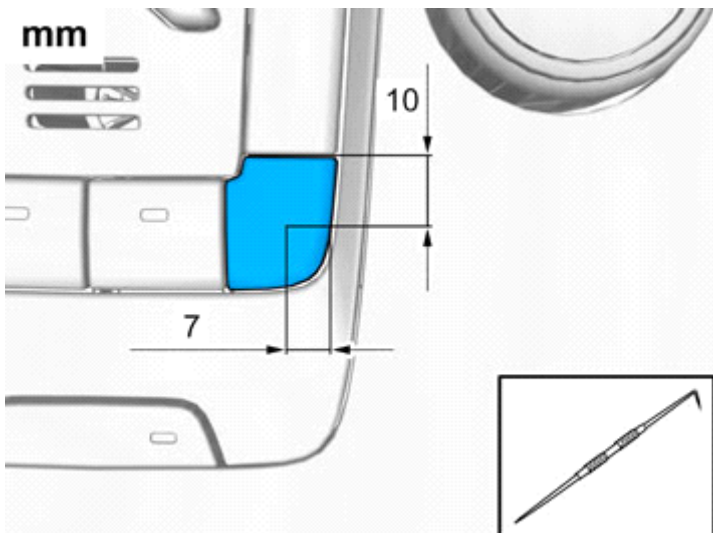
15



IMG-377269

Note!
Orientation view

16



IMG-372212

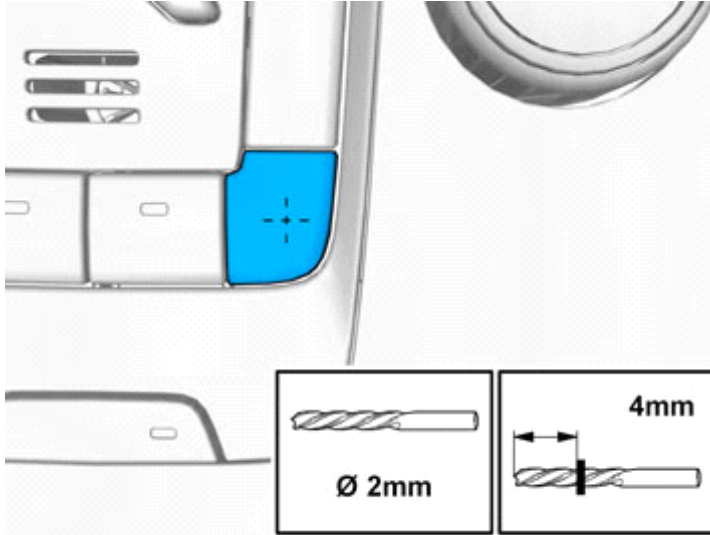
Measure and mark as illustrated.



Installation instructions, accessories

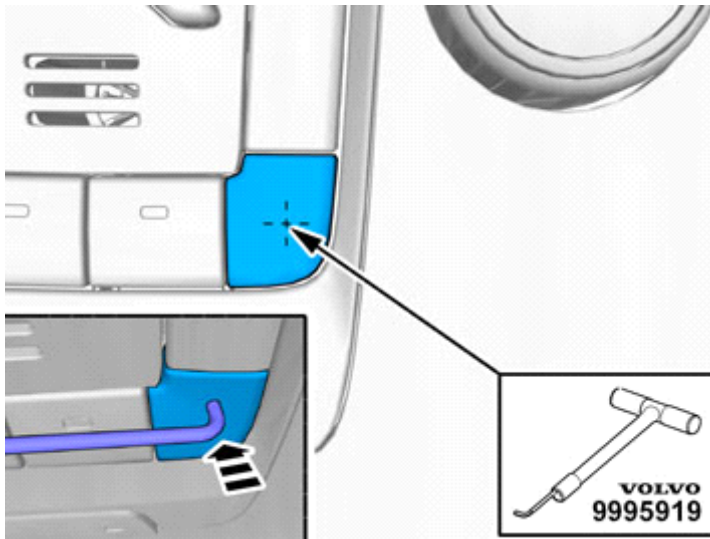
Volvo Car Corporation Gothenburg, Sweden

17



IMG-372210

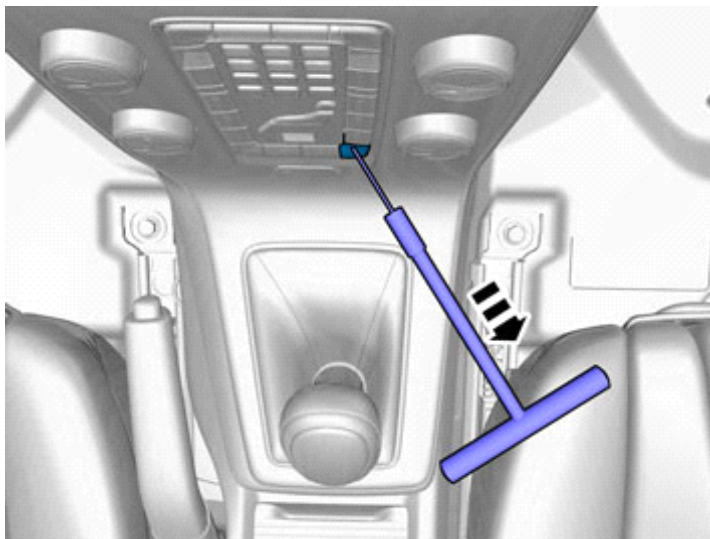
18



IMG-372209

Use special tool: T9995919, PULLER (SEAL-PINION,CAM-CRANKSHAFT)B200-6304

19



IMG-372207

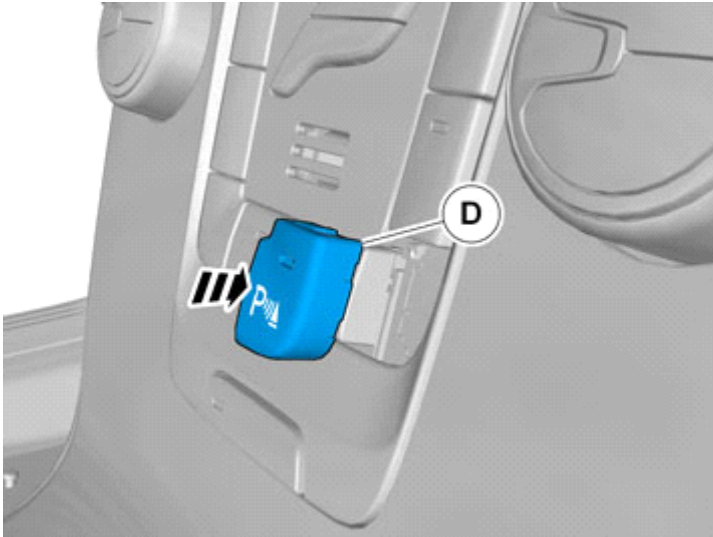


Installation instructions, accessories

Volvo Car Corporation Gothenburg, Sweden

Accessory installation

20



IMG-372208

Removal

21

Note!

The removal steps may contain installation details.

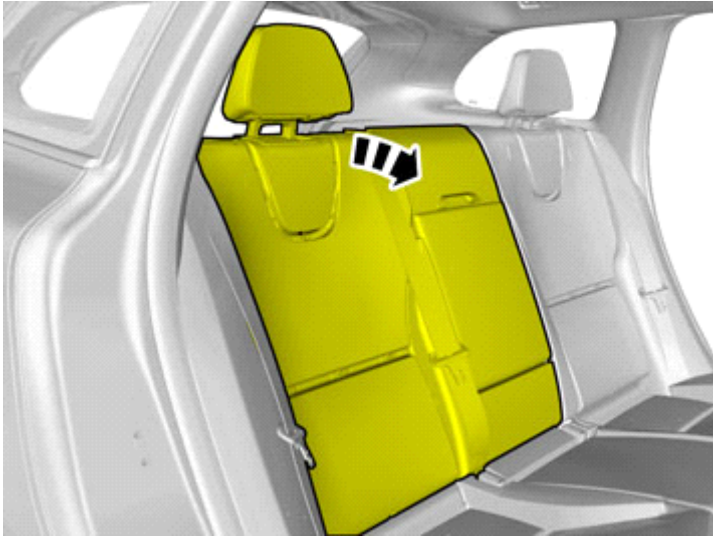
IMG-377070



Installation instructions, accessories

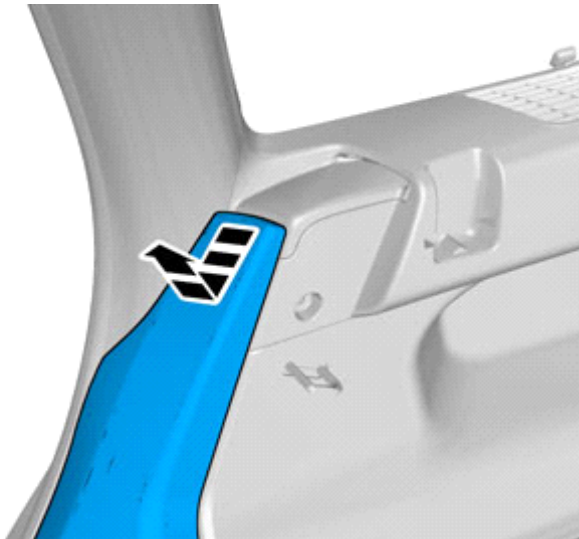
Volvo Car Corporation Gothenburg, Sweden

22



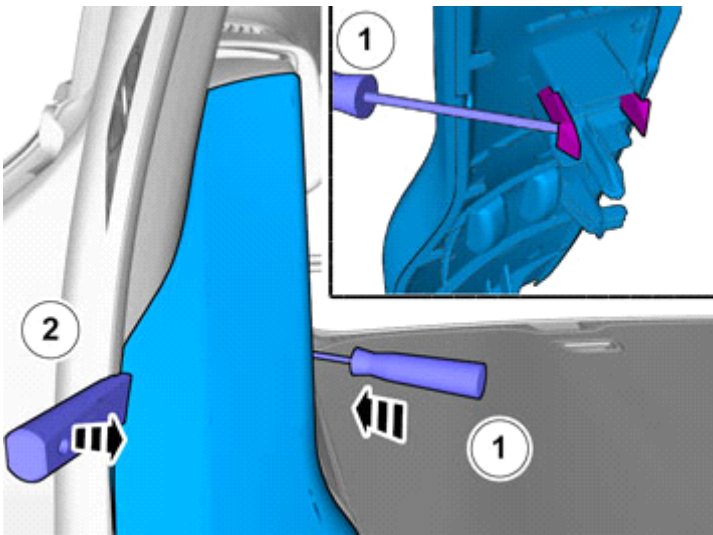
IMG-377298

23



IMG-377299

24



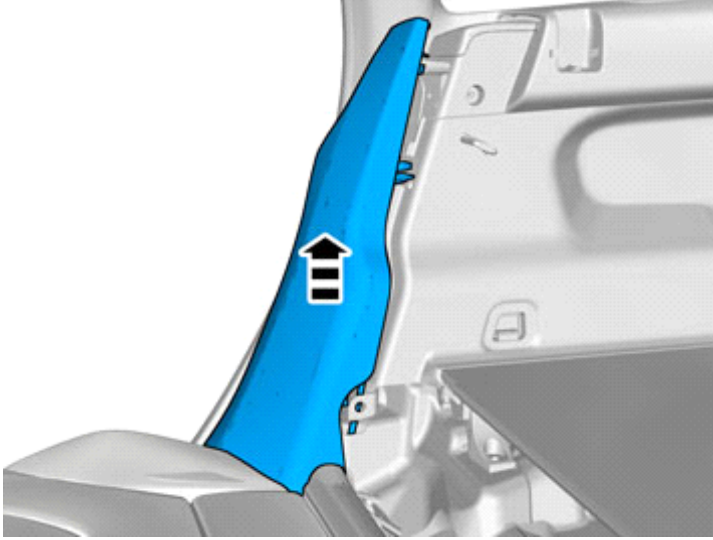
IMG-377300



Installation instructions, accessories

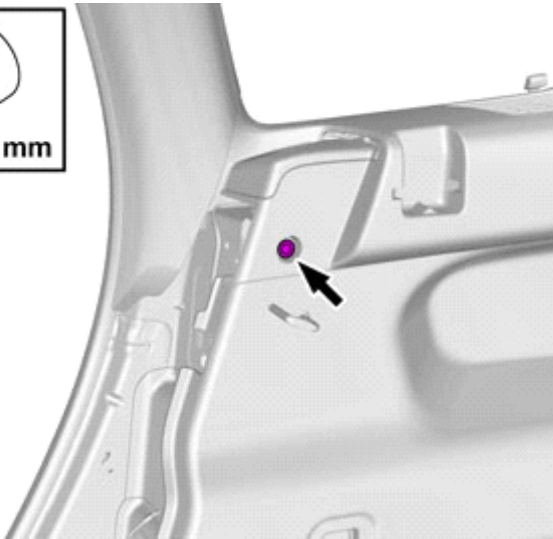
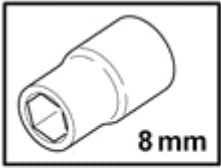
Volvo Car Corporation Gothenburg, Sweden

25



IMG-377302

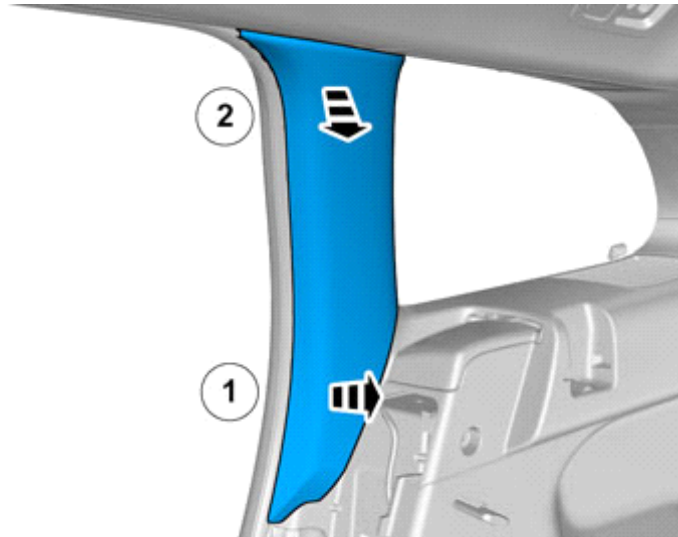
26



IMG-377309

Remove the screw.

27



IMG-377320

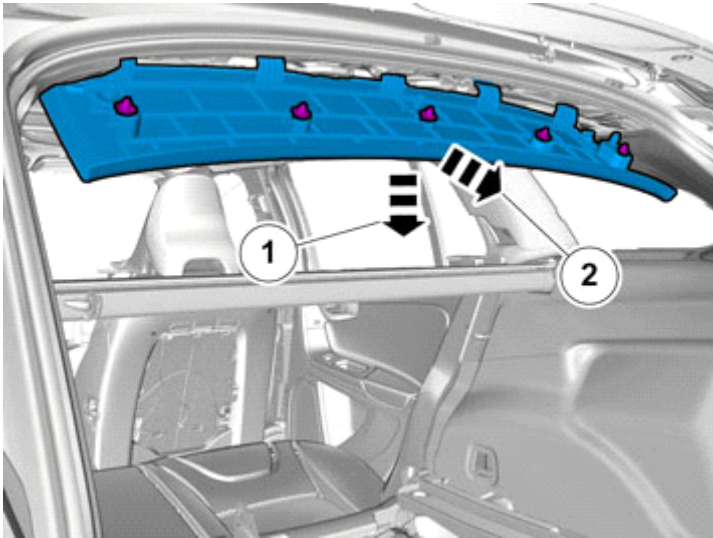
Remove the panel.



Installation instructions, accessories

Volvo Car Corporation Gothenburg, Sweden

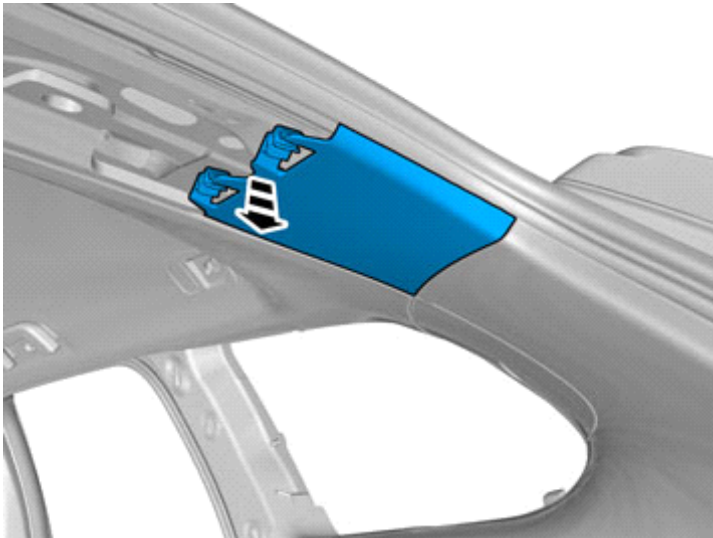
28



IMG-343420

Remove the panel.

29



IMG-377345

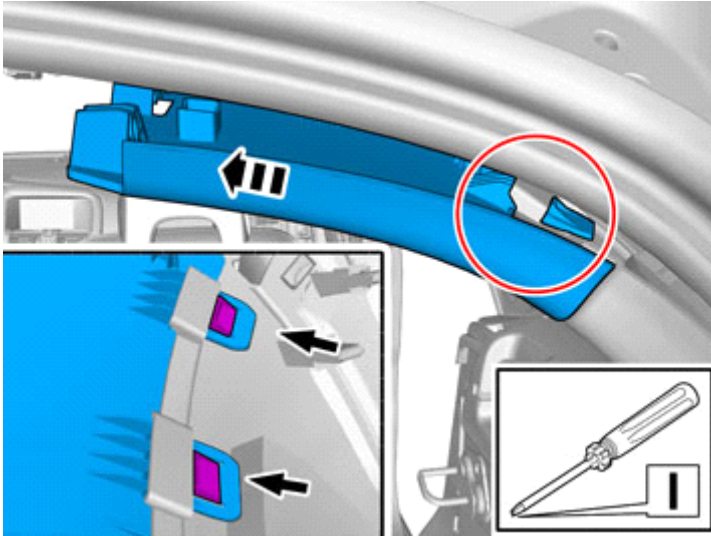
Detach the panel.



Installation instructions, accessories

Volvo Car Corporation Gothenburg, Sweden

30

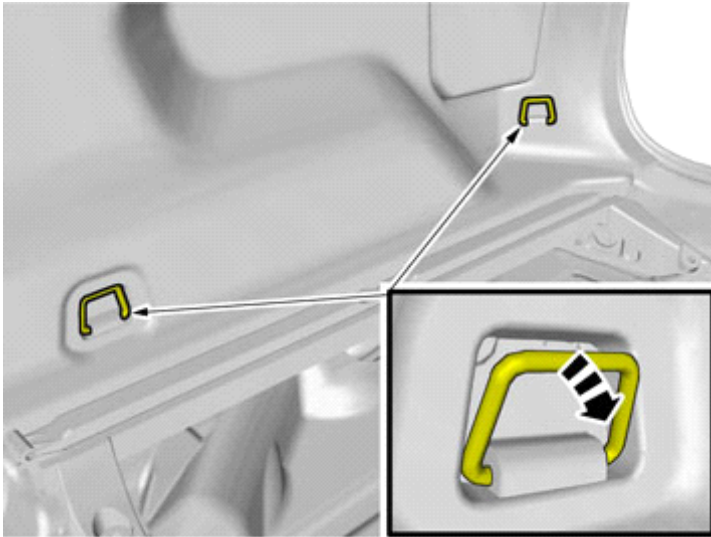


IMG-377347

Release the catches.

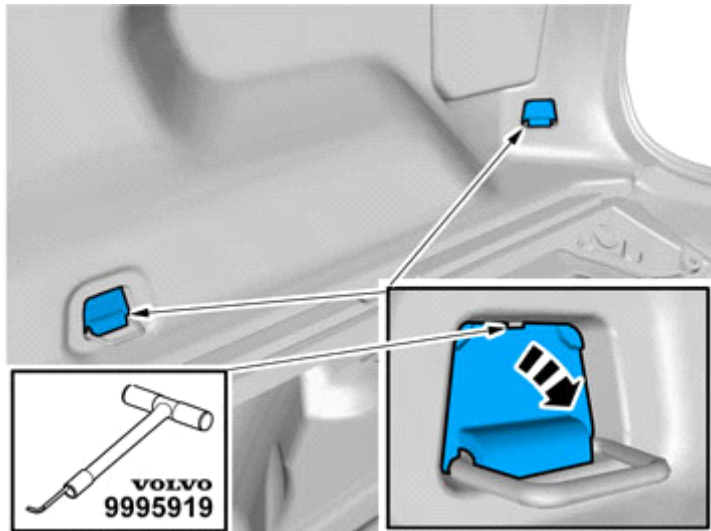
Remove the panel.

31



IMG-307608

32



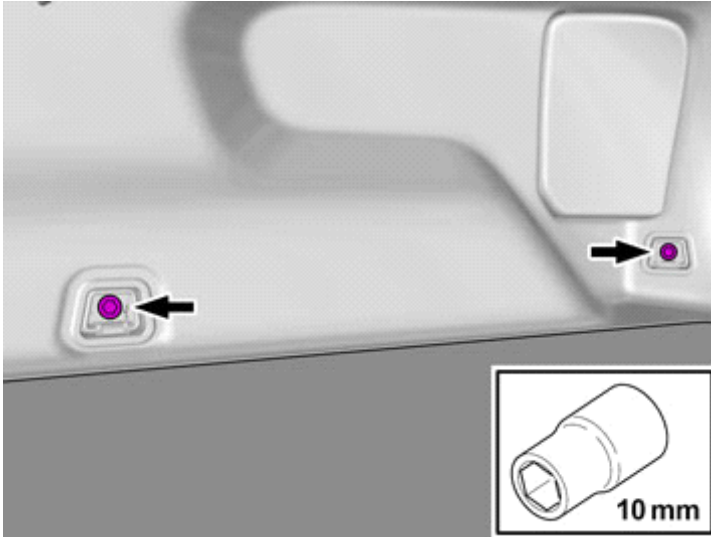
IMG-307609



Installation instructions, accessories

Volvo Car Corporation Gothenburg, Sweden

33

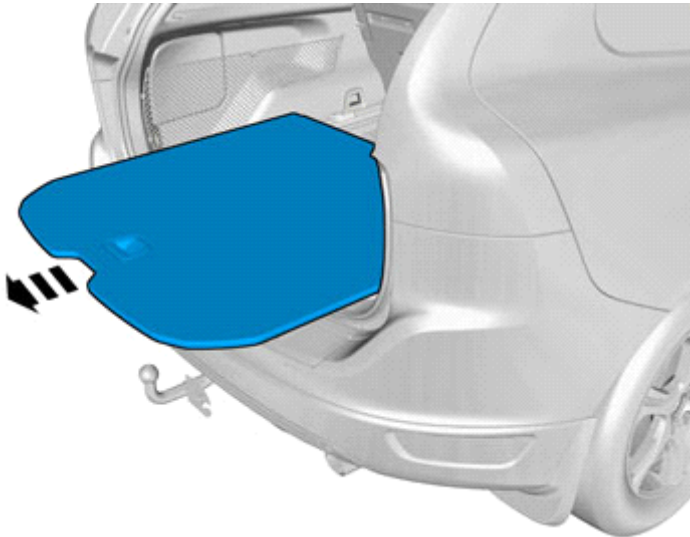


IMG-377342

Remove the screws.

Tightening torque: ,

34



IMG-346921

35



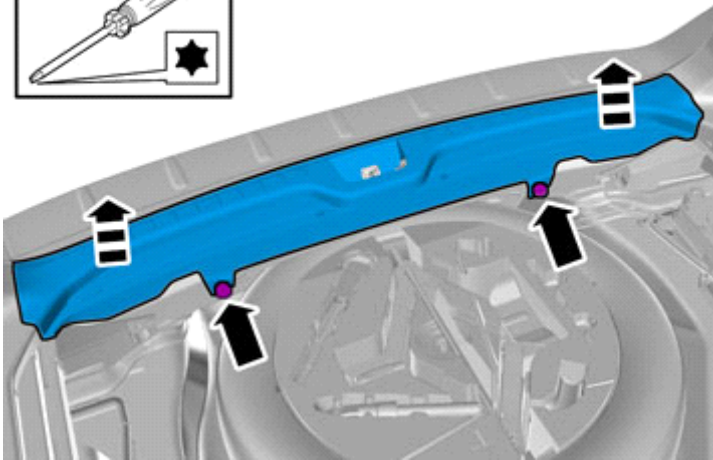
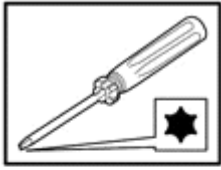
IMG-346811



Installation instructions, accessories

Volvo Car Corporation Gothenburg, Sweden

36

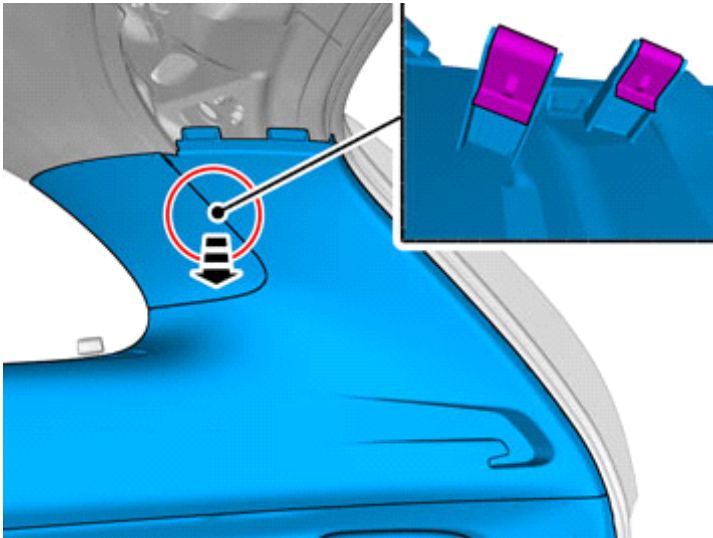


IMG-346861

Remove the screws.

Remove the panel.

37



IMG-377350

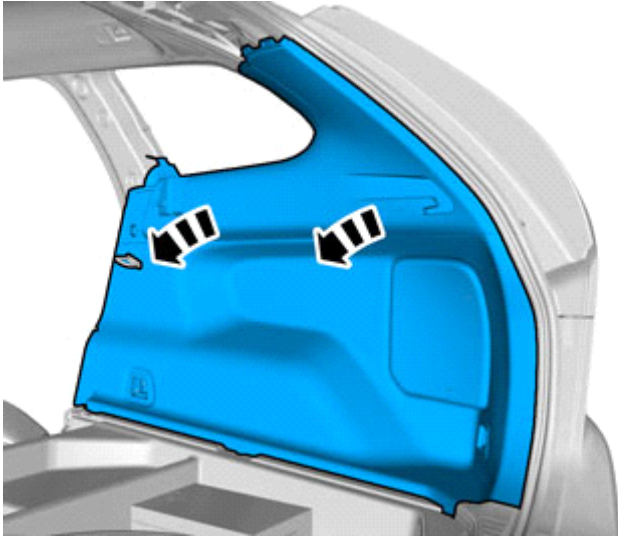
Detach the panel.



Installation instructions, accessories

Volvo Car Corporation Gothenburg, Sweden

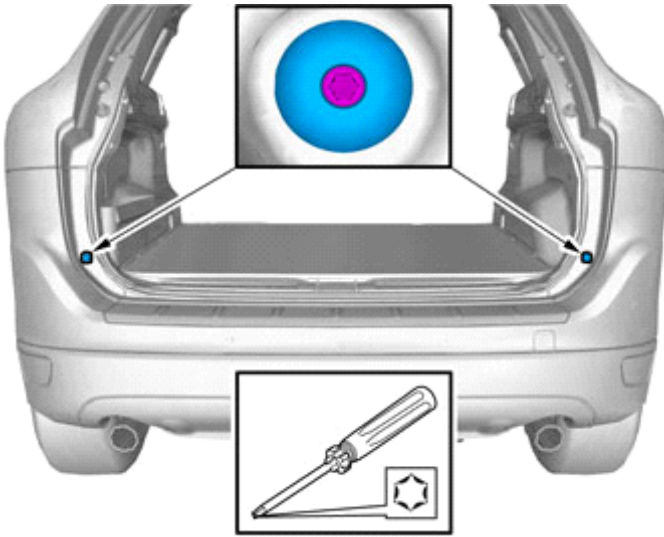
38



IMG-377352

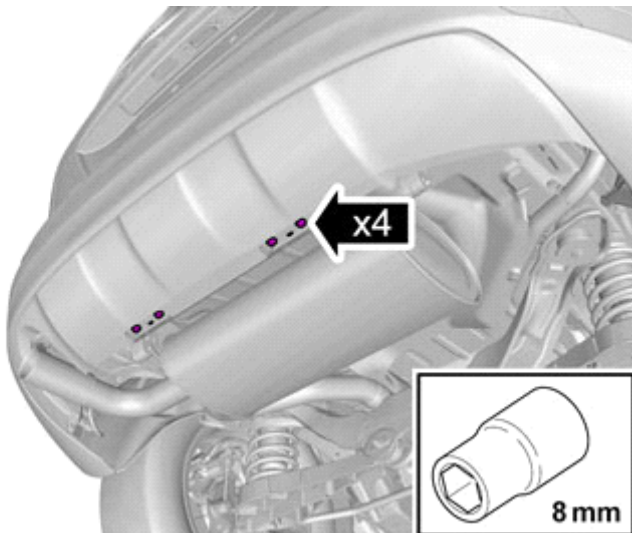
Remove the panel.

39



IMG-297185

40



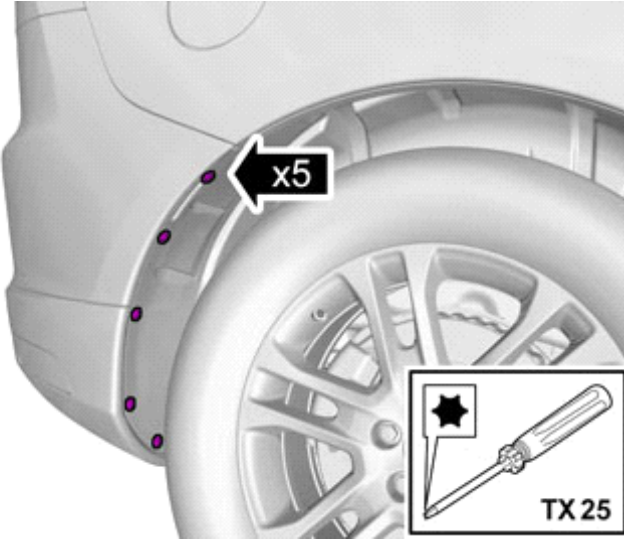
IMG-377456



Installation instructions, accessories

Volvo Car Corporation Gothenburg, Sweden

41

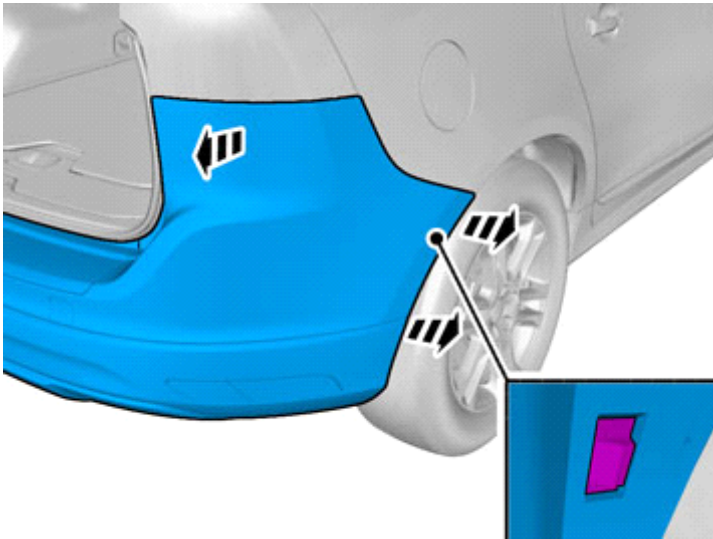


IMG-379308

Remove the screws.

Repeat on the other side.

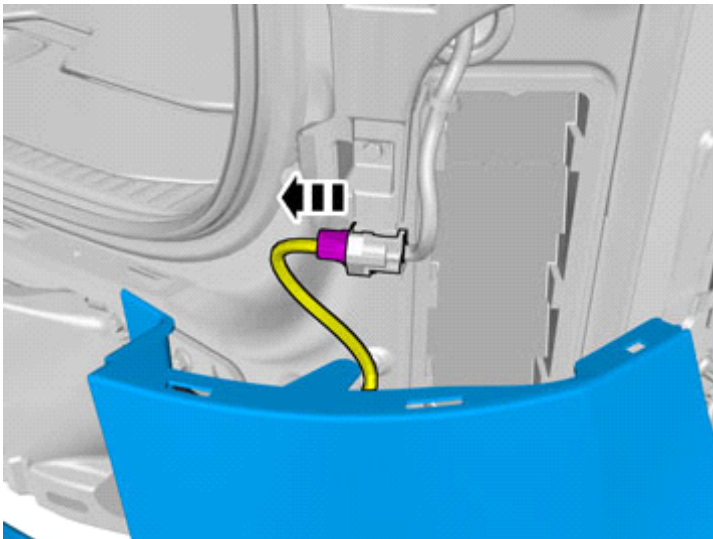
42



IMG-379313

Repeat on the other side.

43



IMG-379304

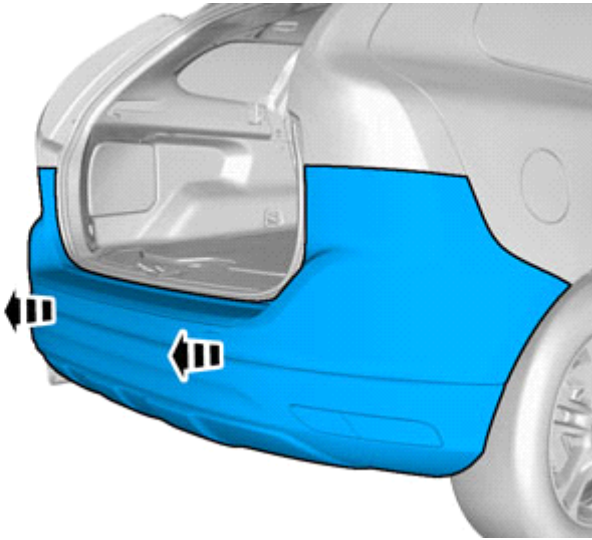
Disconnect the connector.



Installation instructions, accessories

Volvo Car Corporation Gothenburg, Sweden

44

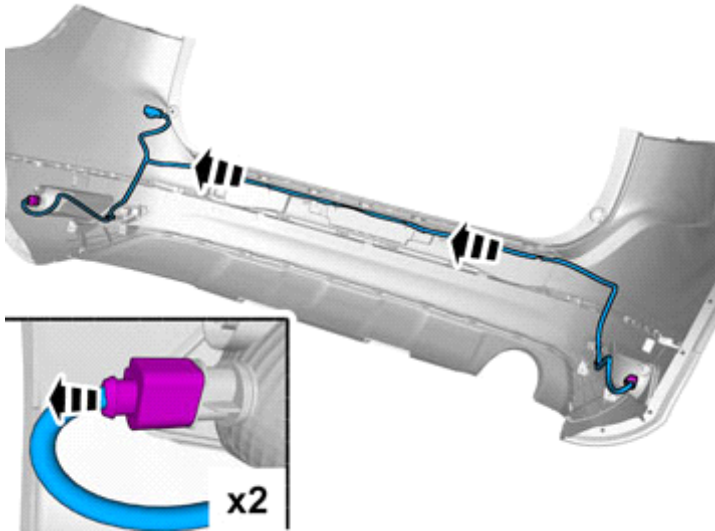


Caution!

Place the Bumper Cover on a suitable surface.

IMG-379314

45



Disconnect the connectors.

Unhook the cable harness clips.

The cable harness must not be reused.

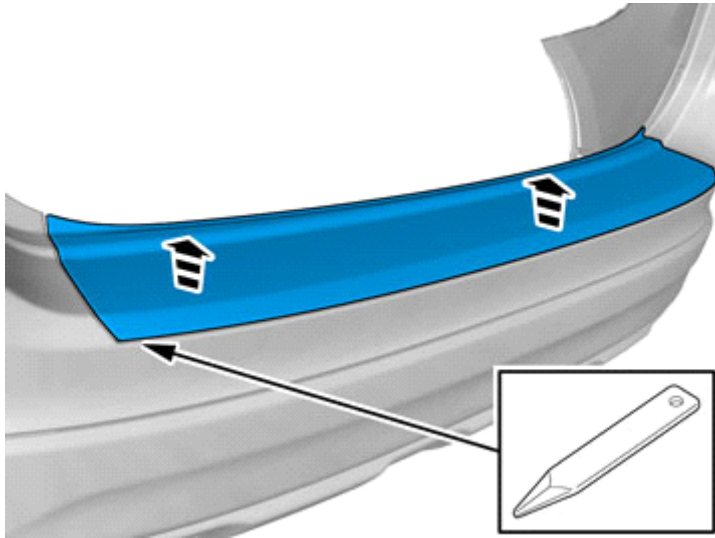
IMG-377368



Installation instructions, accessories

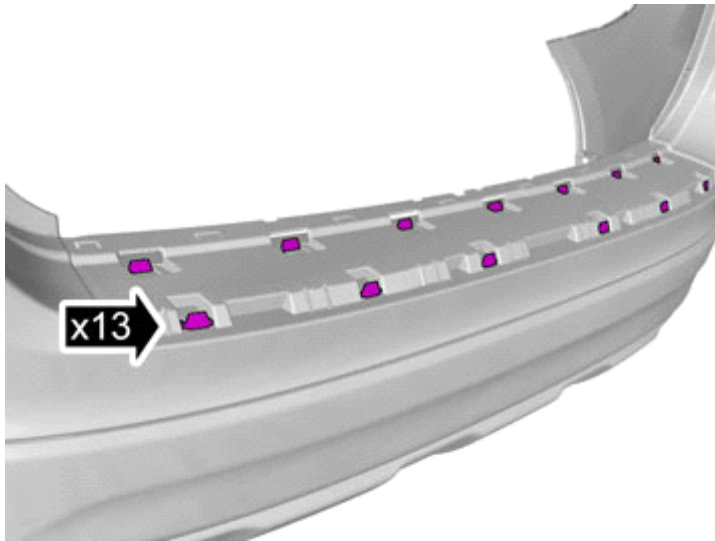
Volvo Car Corporation Gothenburg, Sweden

46



IMG-377371

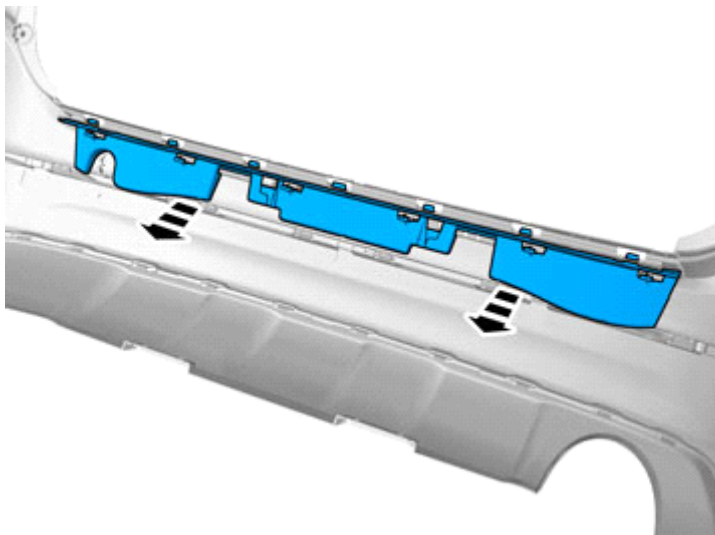
47



IMG-377369

Release the catches.

48



IMG-377372

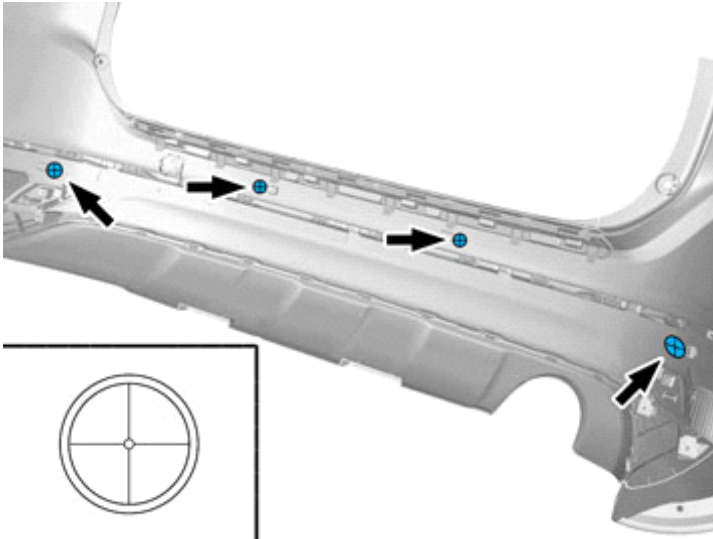


Installation instructions, accessories

Volvo Car Corporation Gothenburg, Sweden

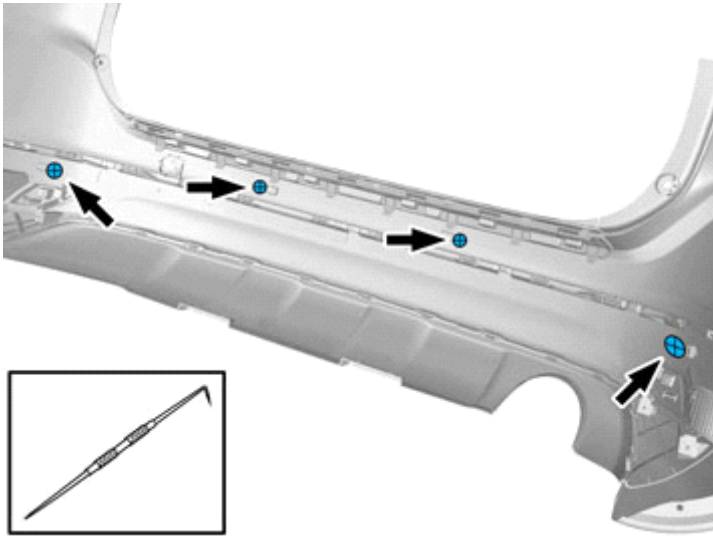
Accessory installation

49 Locate the markings for the positions.



IMG-377374

50 Mark the centre.



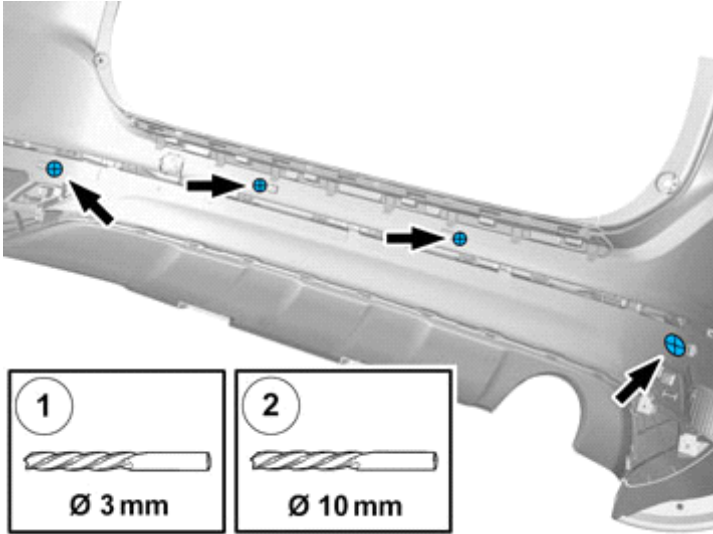
IMG-377375



Installation instructions, accessories

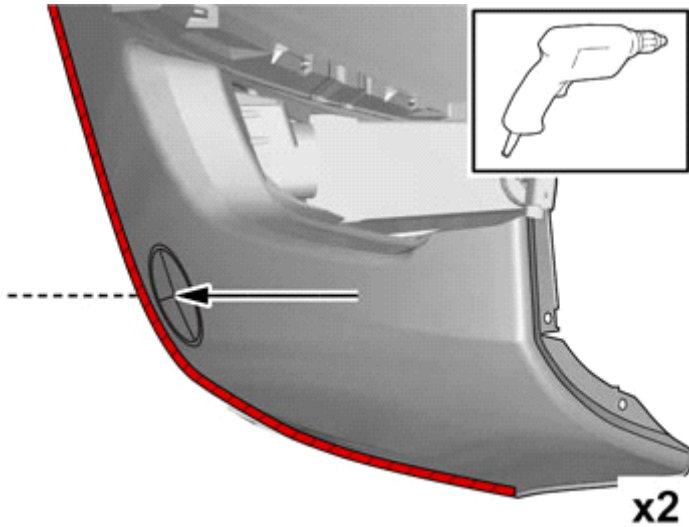
Volvo Car Corporation Gothenburg, Sweden

51



IMG-377377

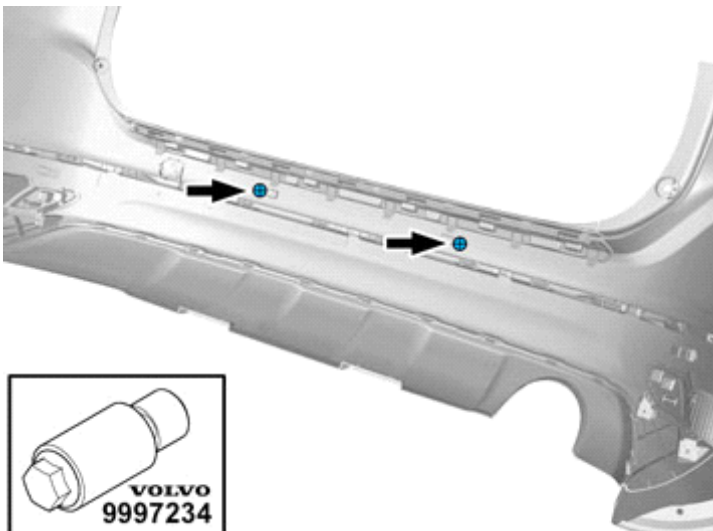
52



Drill horizontally.

IMG-331348

53



Caution!
Sharp end of tool must be on outside of cover.

Use special tool: T9997234, Hole stamp

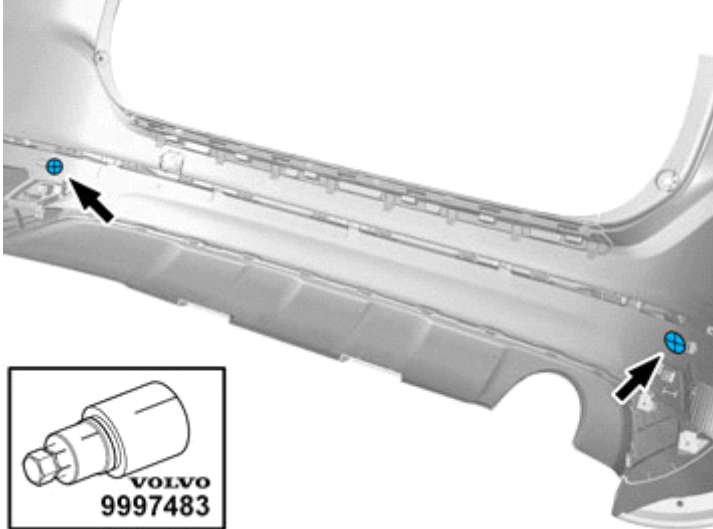
IMG-377378



Installation instructions, accessories

Volvo Car Corporation Gothenburg, Sweden

54



IMG-379343

Caution!

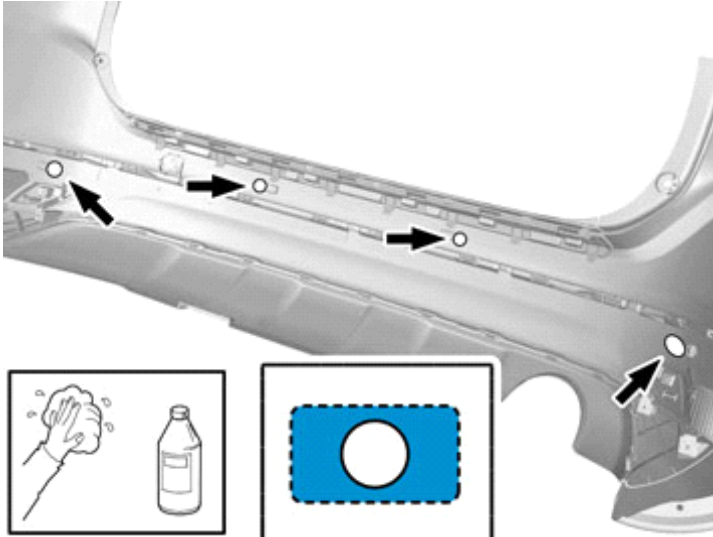
Sharp end of tool must be on outside of cover.

Note!

Check that the markings are opposite each other and that they are pointing downwards when the tool is used.

Use special tool: T9997483, Hole punch

55



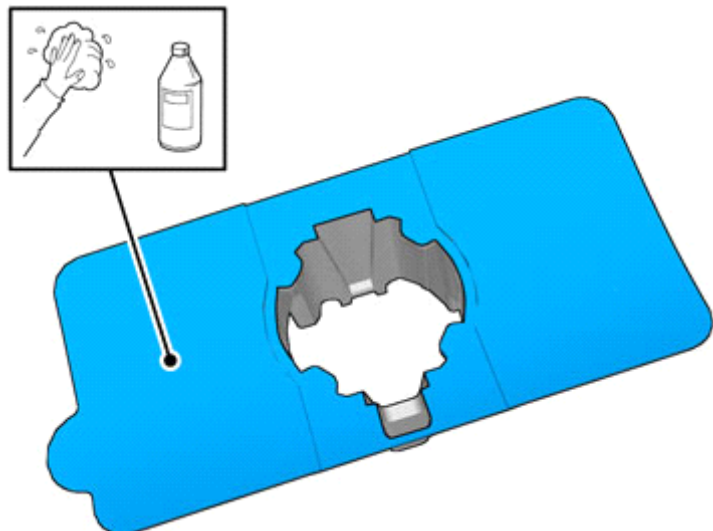
IMG-377382

Clean the surfaces.

Use: 1161721, Isopropanol

Allow to dry.

56



IMG-377398

Clean the surfaces.

Use: 1161721, Isopropanol

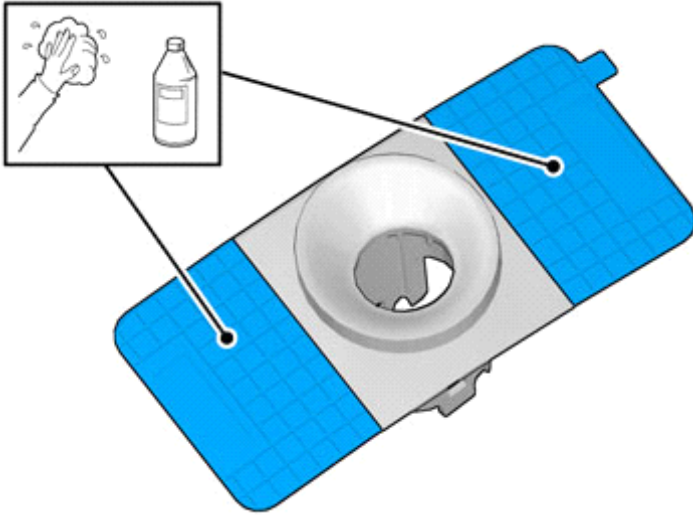
Allow to dry.



Installation instructions, accessories

Volvo Car Corporation Gothenburg, Sweden

57



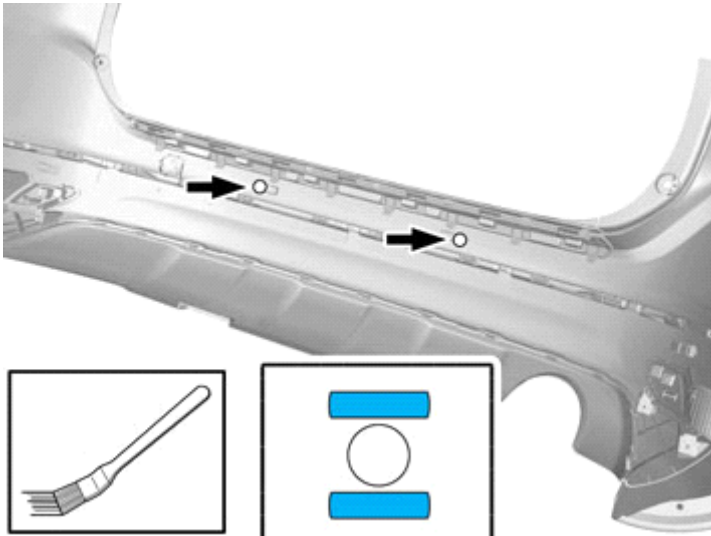
IMG-377416

Clean the surfaces.

Use: 1161721, Isopropanol

Allow to dry.

58



IMG-377385

Apply a thin and even layer.

Use: 8637076, Activator

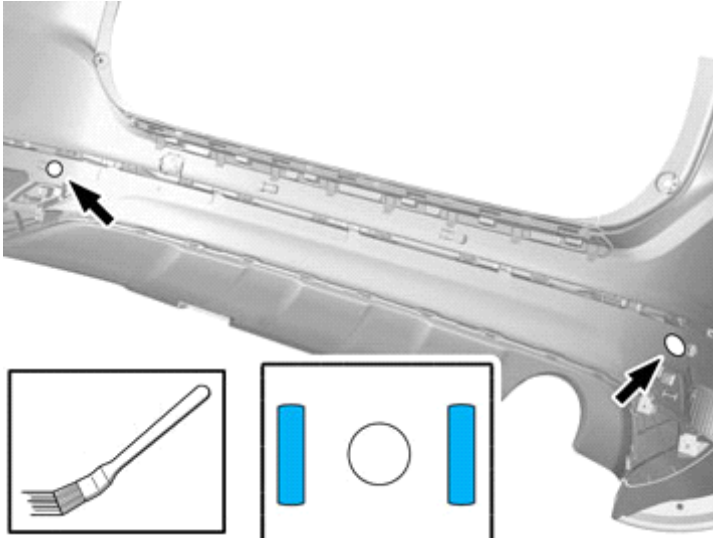
Allow to dry for at least 10 minutes.



Installation instructions, accessories

Volvo Car Corporation Gothenburg, Sweden

59



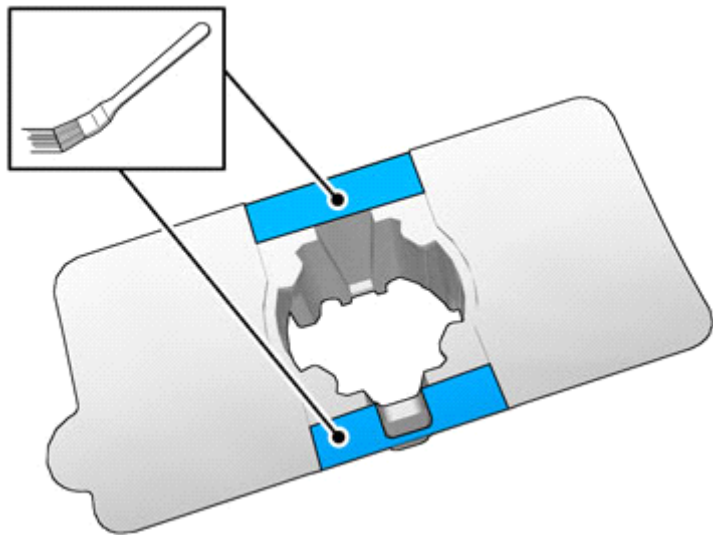
IMG-377386

Apply a thin and even layer.

Use: 8637076, Activator

Allow to dry for at least 10 minutes.

60



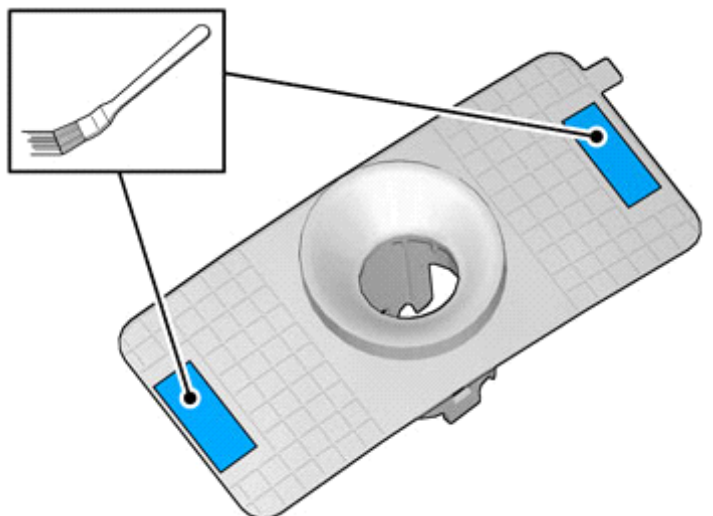
IMG-377400

Apply a thin and even layer.

Use: 8637076, Activator

Allow to dry for at least 10 minutes.

61



IMG-377417

Apply a thin and even layer.

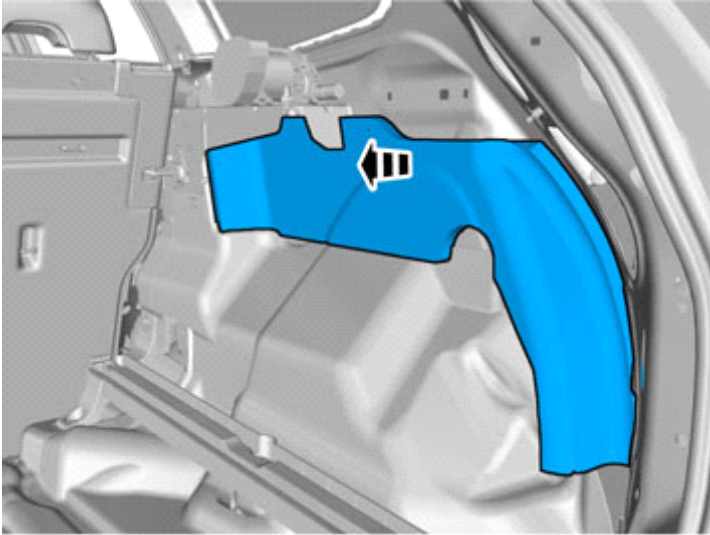
Use: 8637076, Activator

Allow to dry for at least 10 minutes.



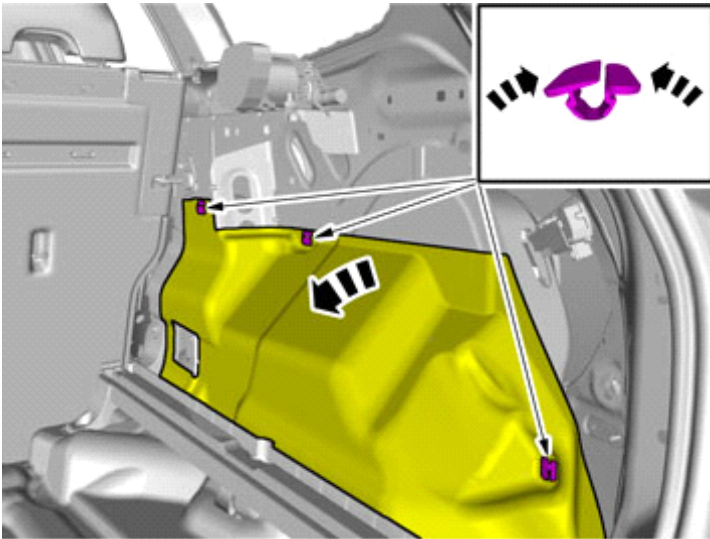
Removal

62



IMG-308085

63



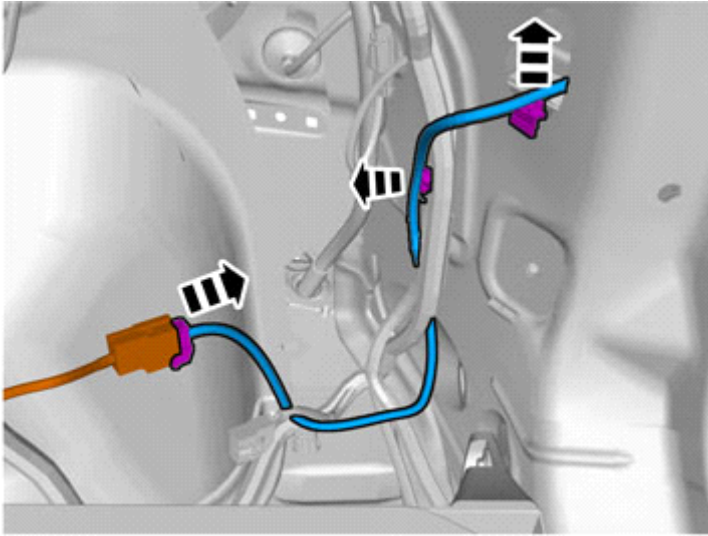
IMG-308086



Installation instructions, accessories

Volvo Car Corporation Gothenburg, Sweden

64

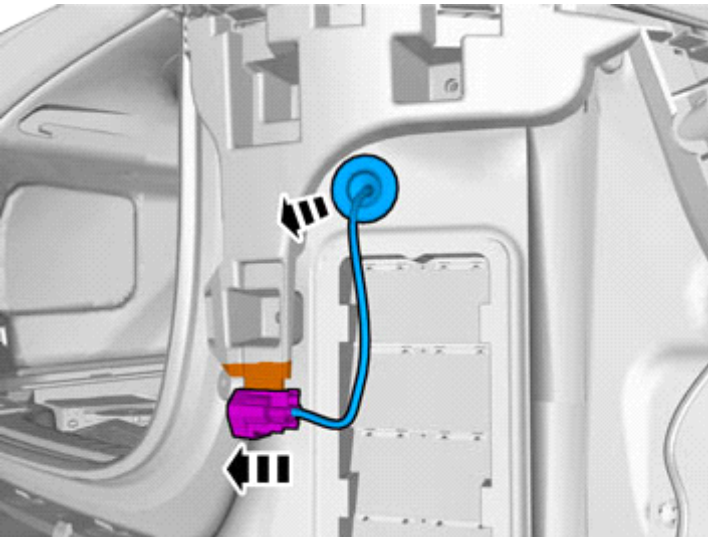


IMG-297561

Disconnect the connector.

Unhook the cable harness clips.

65



IMG-297562

The cable harness must not be reused.

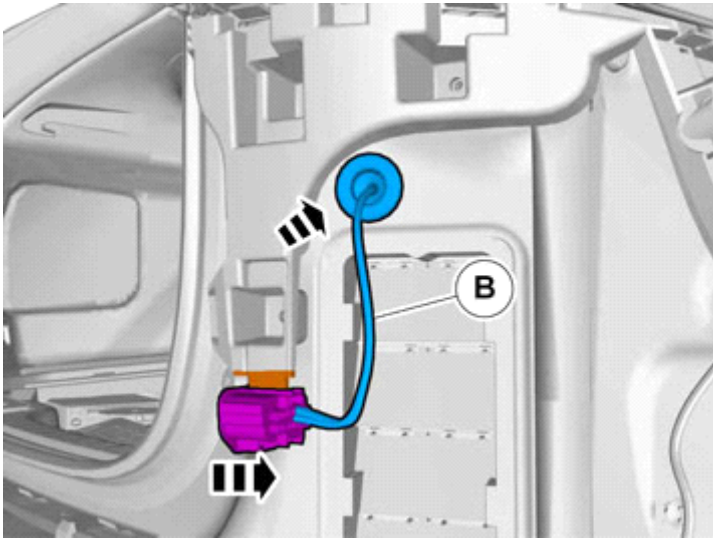
Accessory installation



Installation instructions, accessories

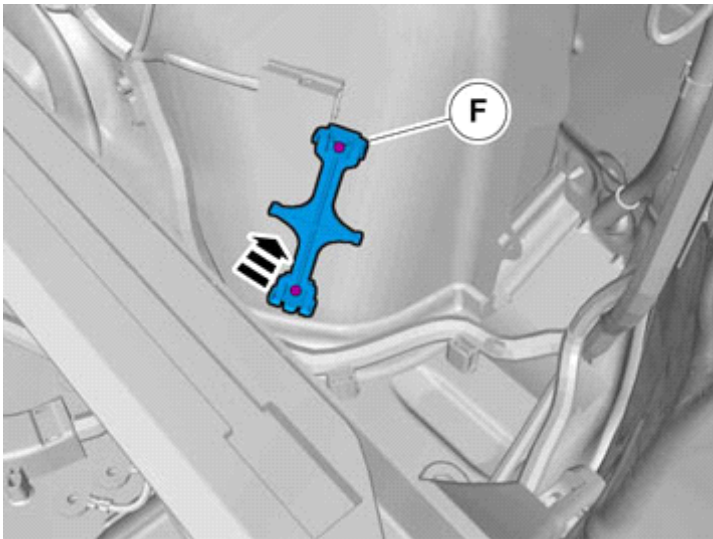
Volvo Car Corporation Gothenburg, Sweden

66



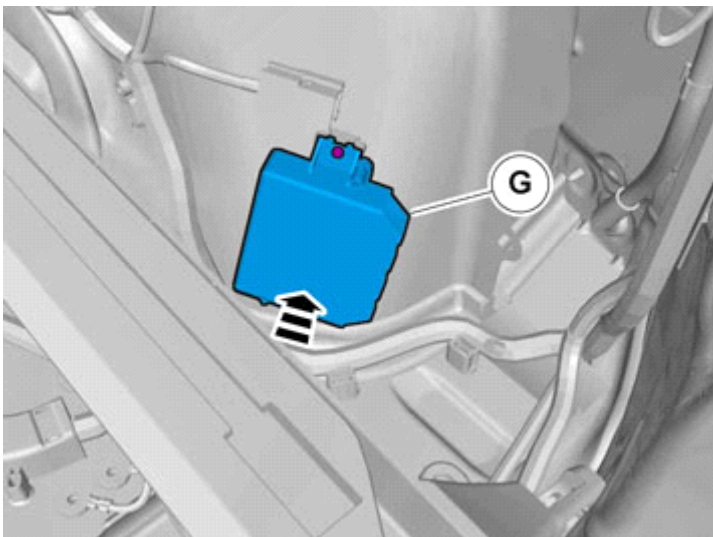
IMG-377427

67



IMG-377426

68



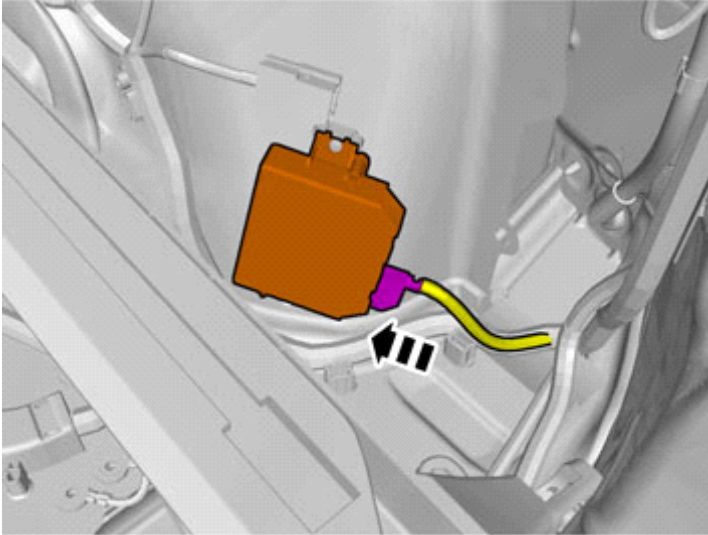
IMG-377425



Installation instructions, accessories

Volvo Car Corporation Gothenburg, Sweden

69

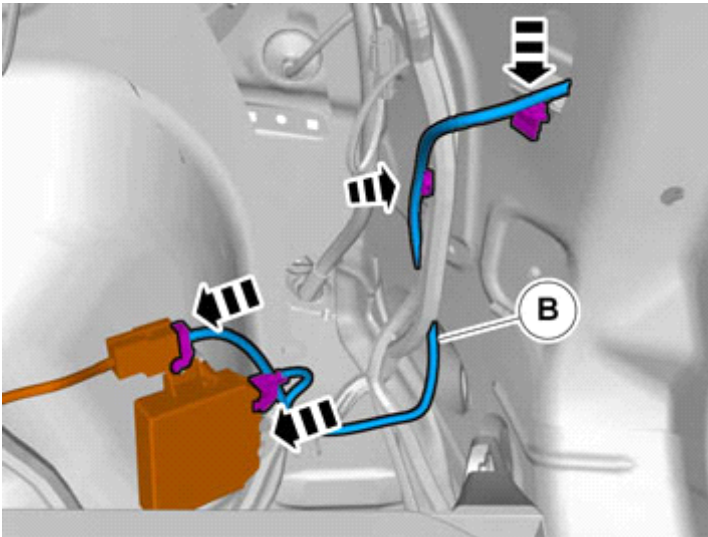


IMG-297565

Locate the existing connector in the vehicle's cable harness.

Connect the connector.

70

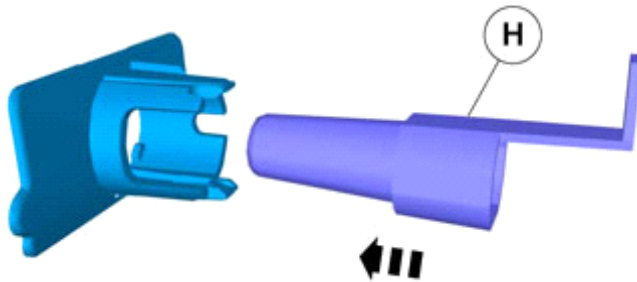


IMG-377428

Install the cable.

Connect the connectors.

71



Note!

Prepare and install one holder at a time.

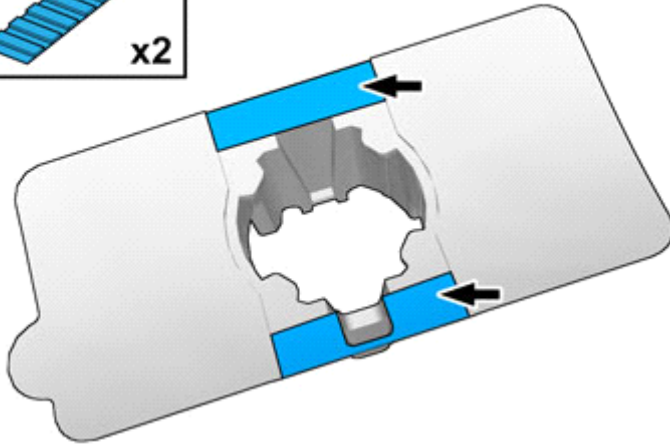
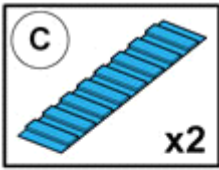
IMG-377429



Installation instructions, accessories

Volvo Car Corporation Gothenburg, Sweden

72



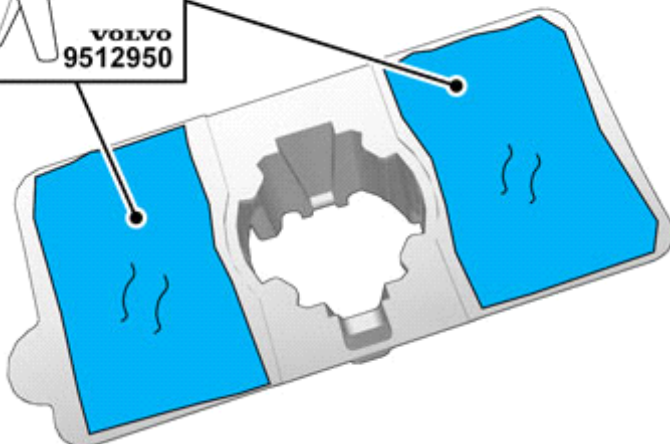
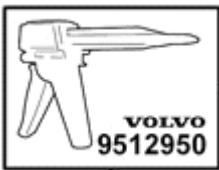
IMG-377401

Note!

Ensure that the tape is fixed to the surface.

Remove the protective film.

73



IMG-377421

Warning!

Wear protective gloves.

Warning!

Make sure to provide adequate ventilation.

Apply a thin and even layer.

Use special tool: T9512950, Glue gun (kit)

Use: 1161730, Mixing pipe

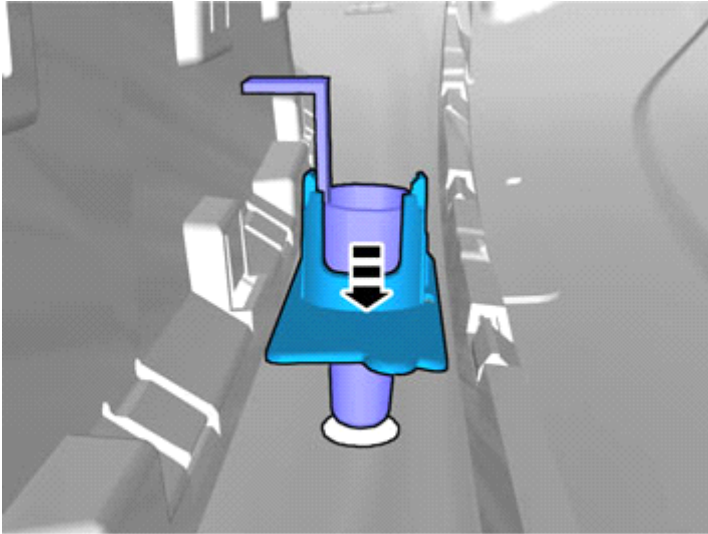
Use: 9511027, Glue



Installation instructions, accessories

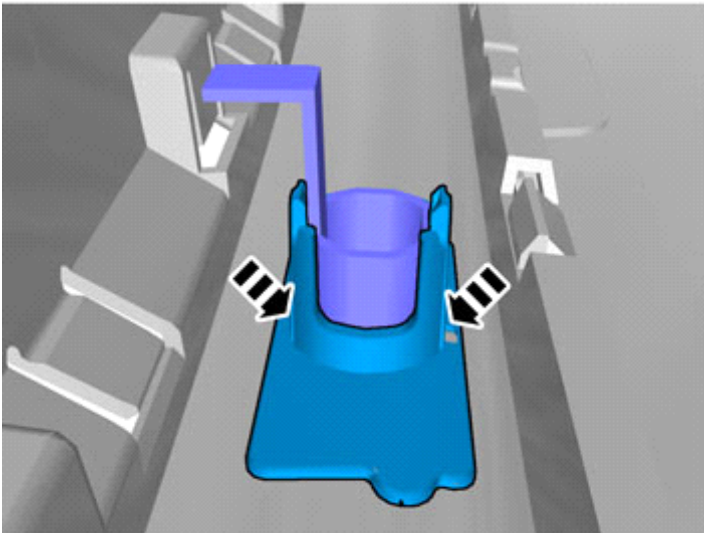
Volvo Car Corporation Gothenburg, Sweden

74



IMG-297571

75



IMG-297572

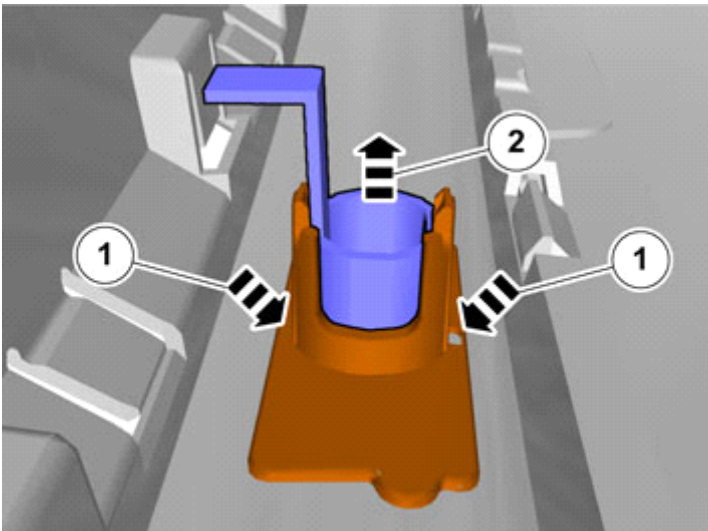
Note!

Apply pressure only where the tape is located.

Note!

Ensure that the tape is fixed to the surface.

76



IMG-297573

Note!

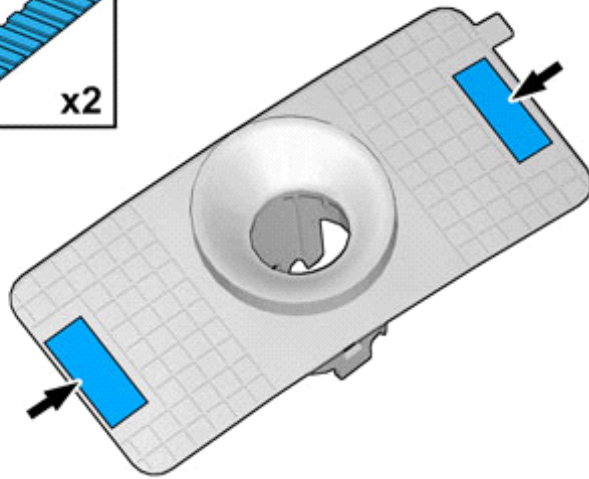
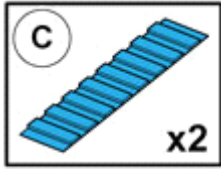
Hold the part securely at the marker arrows when removing the tool.



Installation instructions, accessories

Volvo Car Corporation Gothenburg, Sweden

77



IMG-377418

Note!

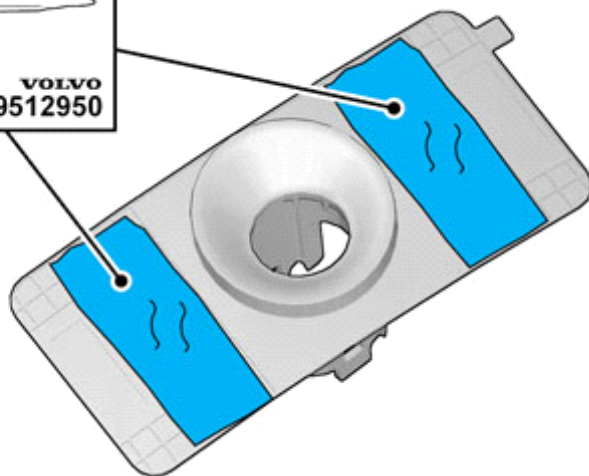
Prepare and install one holder at a time.

Note!

Ensure that the tape is fixed to the surface.

Remove the protective film.

78



IMG-377420

Warning!

Wear protective gloves.

Warning!

Make sure to provide adequate ventilation.

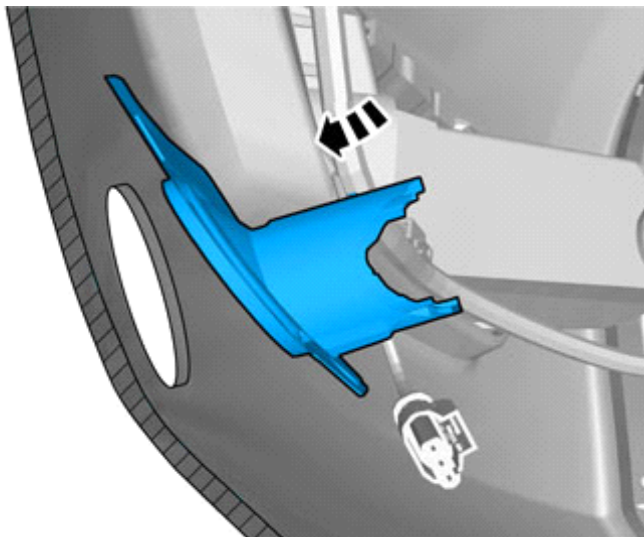
Apply a thin and even layer.

Use special tool: T9512950, Glue gun (kit)

Use: 1161730, Mixing pipe

Use: 9511027, Glue

79



Note!

Apply pressure only where the tape is located.

Note!

Ensure that the tape is fixed to the surface.

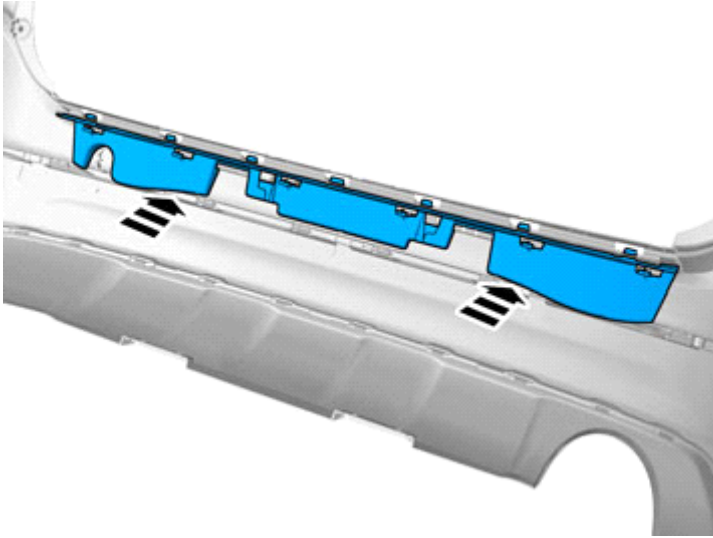
IMG-297576



Installation instructions, accessories

Volvo Car Corporation Gothenburg, Sweden

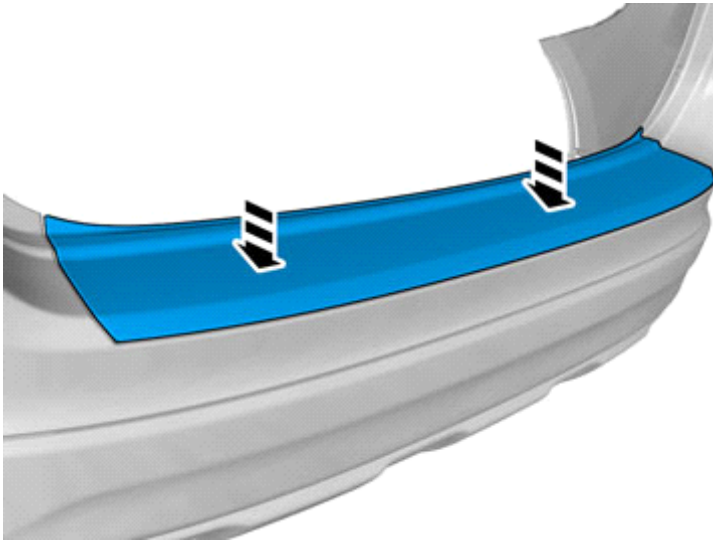
80



IMG-377430

Reinstall the removed part.

81



IMG-377436

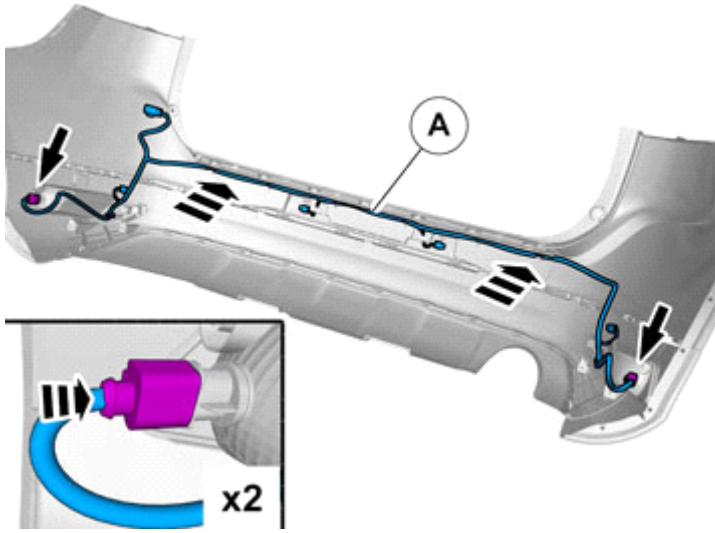
Reinstall the removed part.



Installation instructions, accessories

Volvo Car Corporation Gothenburg, Sweden

82

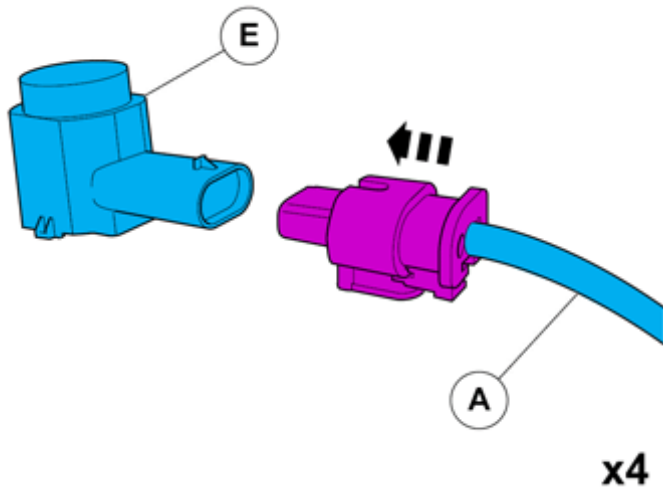


IMG-377431

Install the cable.

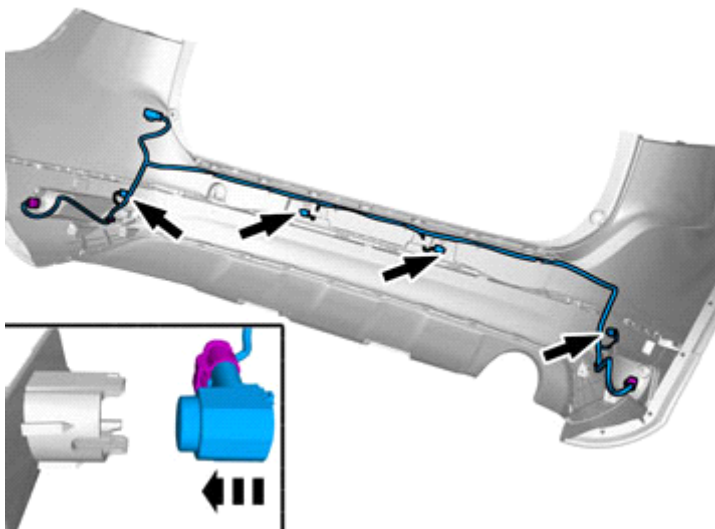
Connect the connectors.

83



IMG-373743

84



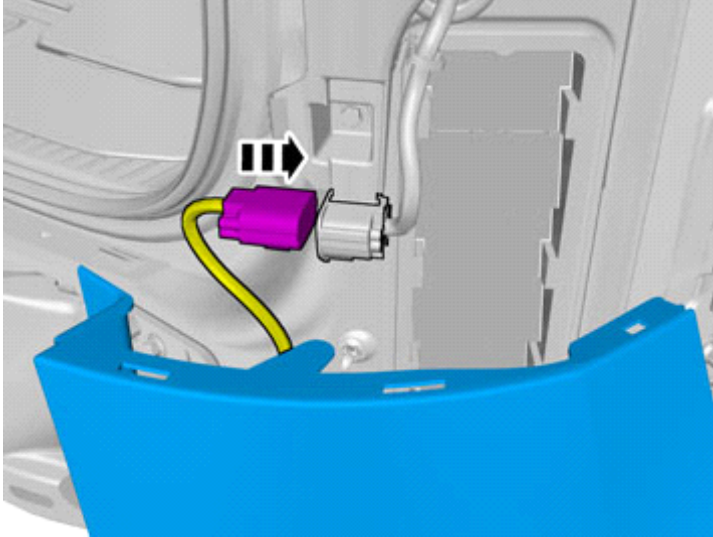
IMG-377435



Installation instructions, accessories

Volvo Car Corporation Gothenburg, Sweden

85

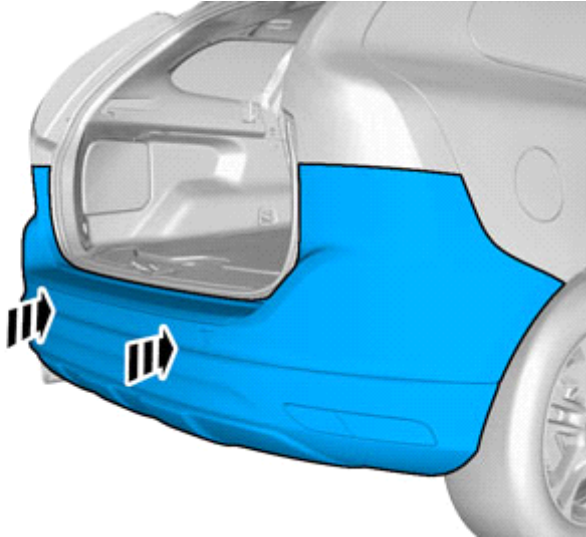


IMG-379305

Place the Bumper Cover in position for installation.

Connect the connector.

86



IMG-379307

Reinstall the bumper.

87

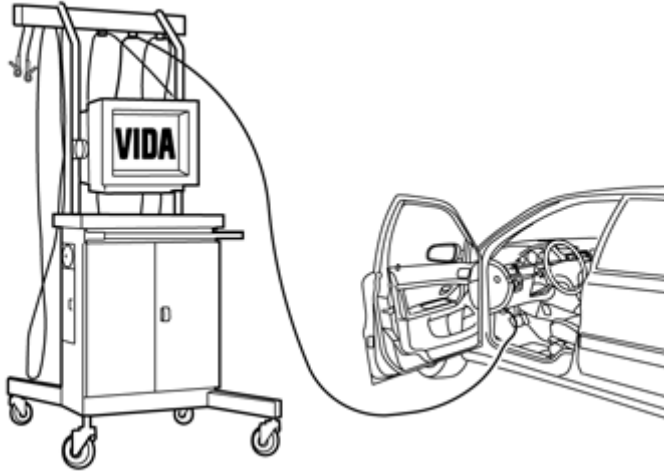
Reinstall the removed parts in reverse order.



Installation instructions, accessories

Volvo Car Corporation Gothenburg, Sweden

88



IMG-242268

Download software (application) for the accessory's function according to the service information in VIDA.

Order and download software according to: 31266966